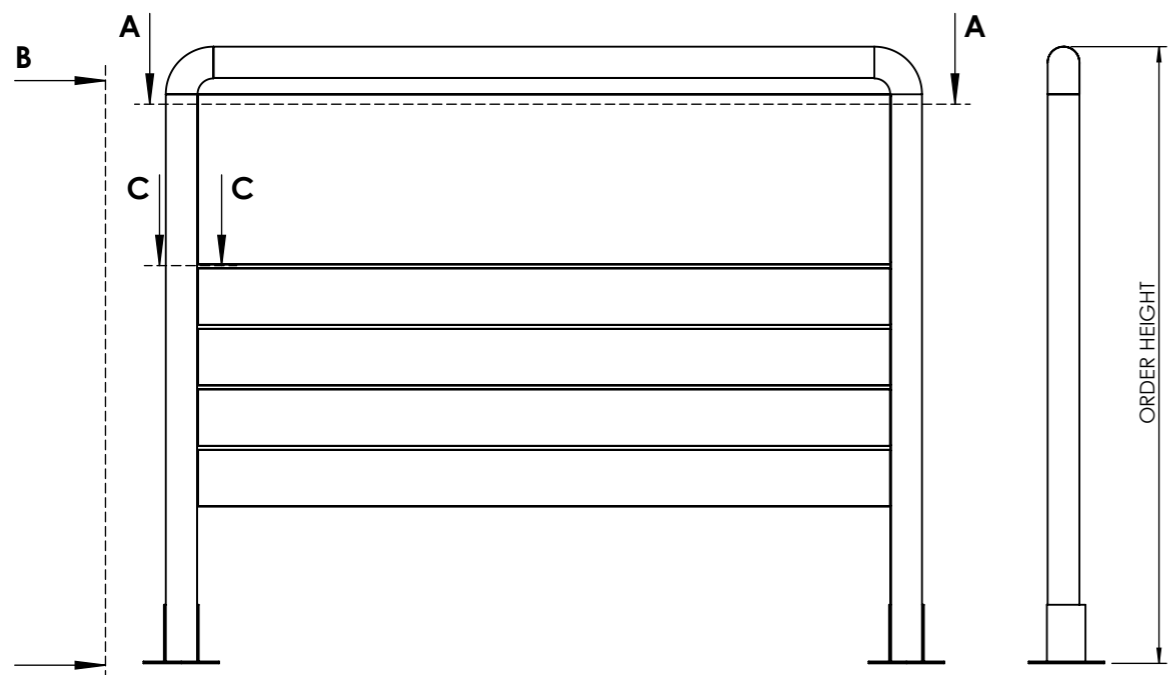
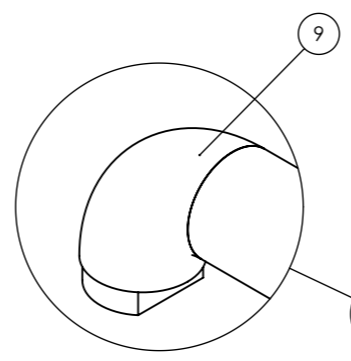


DO NOT SCALE
IF IN DOUBT ASK

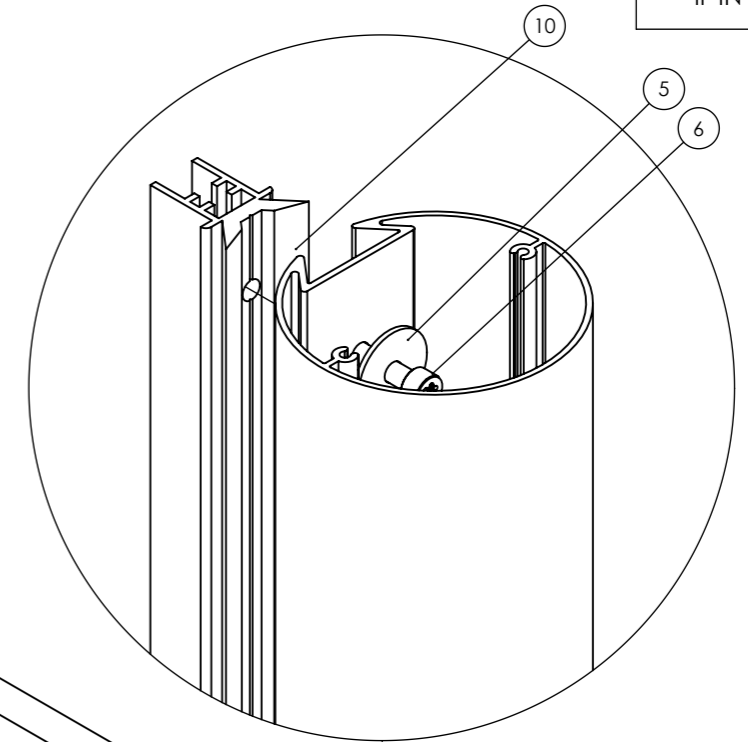


FRONT VIEW
SCALE 1:20

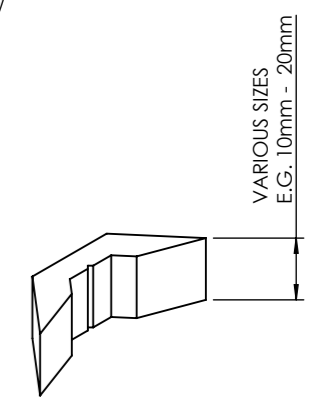
SECTION B-B



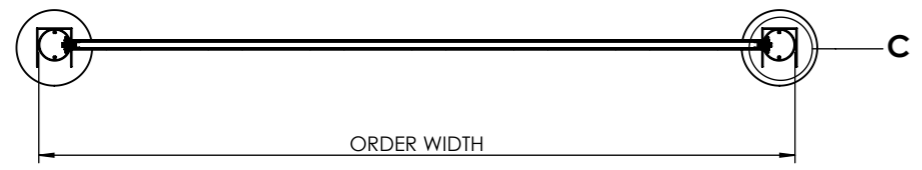
DETAIL A
SCALE 1:5



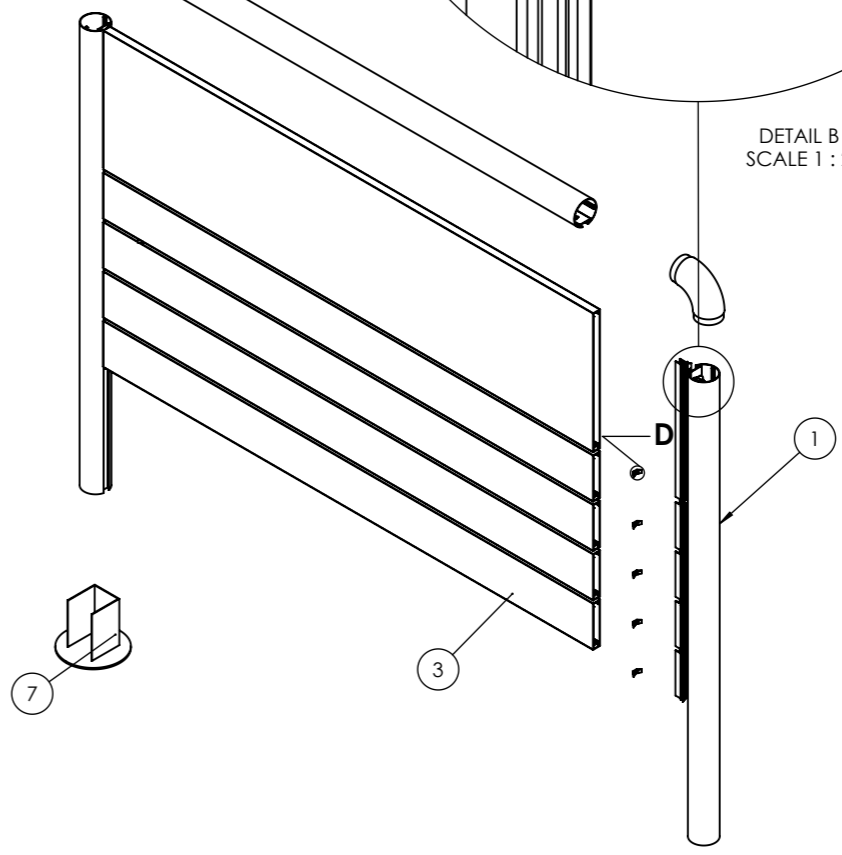
DETAIL B
SCALE 1:2



DETAIL D
SCALE 1:1



SECTION A-A



EXPLODED VIEW OF EQUIPMENT SUPPLIED
SCALE 1:20

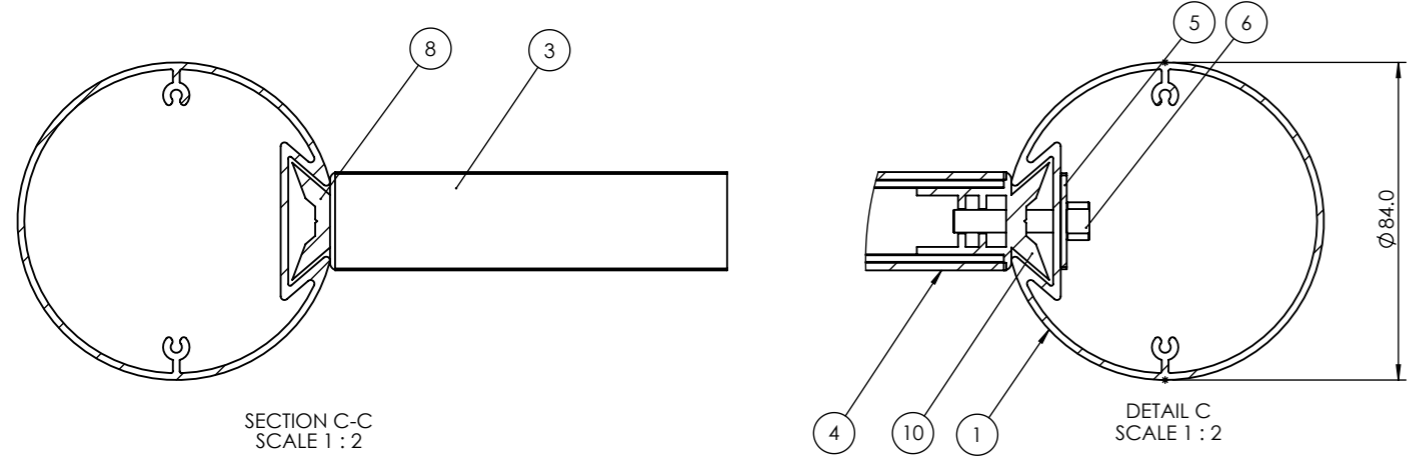
BILL OF MATERIALS SIGN POLE 84 ASSEMBLY (C/W SIGN POLE CORNERS)

ITEM NO.	DRAWING No/REF	QTY	FINISH	NOTES
1	SIGN POLE 84	2		VERTICAL
2	SIGN POLE 84	1		HORIZONTAL
3	150mm DATAPLANK	AS REQ'		100mm VERSION ALSO OPTION
4	DATAPLANK	1		LARGE HEADER PANEL
5	WASHER	2		SIZE TBC
6	M6 TORX CAP SCREW	2		
7	POST FOOT	2		
8	DELTA FIX	2 No PER DATAPLANK		
9	SIGN POLE 84 CORNER	2		
10	PROFILE B	2 No PER DATAPLANK		

REV.	DATE	DESCRIPTION	BY
A	31-01-19	LARGE HEADER PANEL ADDED	R.L

THIS DRAWING IS THE PROPERTY OF KSUK LTD AND MAY NOT BE COPIED IN WHOLE OR IN PART OR USED FOR ANY OTHER PURPOSE THAN THAT FOR WHICH IT IS SUPPLIED

GENERAL TOLERANCES UNLESS OTHERWISE STATED:
0 DECIMAL PLACES +/- 1mm
1 DECIMAL PLACE +/- 0.5mm
2 DECIMAL PLACES +/- 0.15mm
ANGULAR DIMENSIONS +/- 1/2°



SECTION C-C
SCALE 1:2

DETAIL C
SCALE 1:2

KSUK[®]

T 0121 783 0779, F 0121 783 1334
KSUK, Unit 6 Valepits Road, Garrets Green Industrial Estate, Birmingham, West Midlands, B33 0TD

DRAWING TITLE:
SIGN POLE 84 (C/W SIGN POLE CORNERS)

PRODUCT RANGE: DATAPLANK

PROJECT No: IDS-236	DATE: 30-01-19
PAPER: A3	DRAWN: R.L
SCALE: N.T.S	DWG No.: IDS-236-016

CHKD: -
REV: A