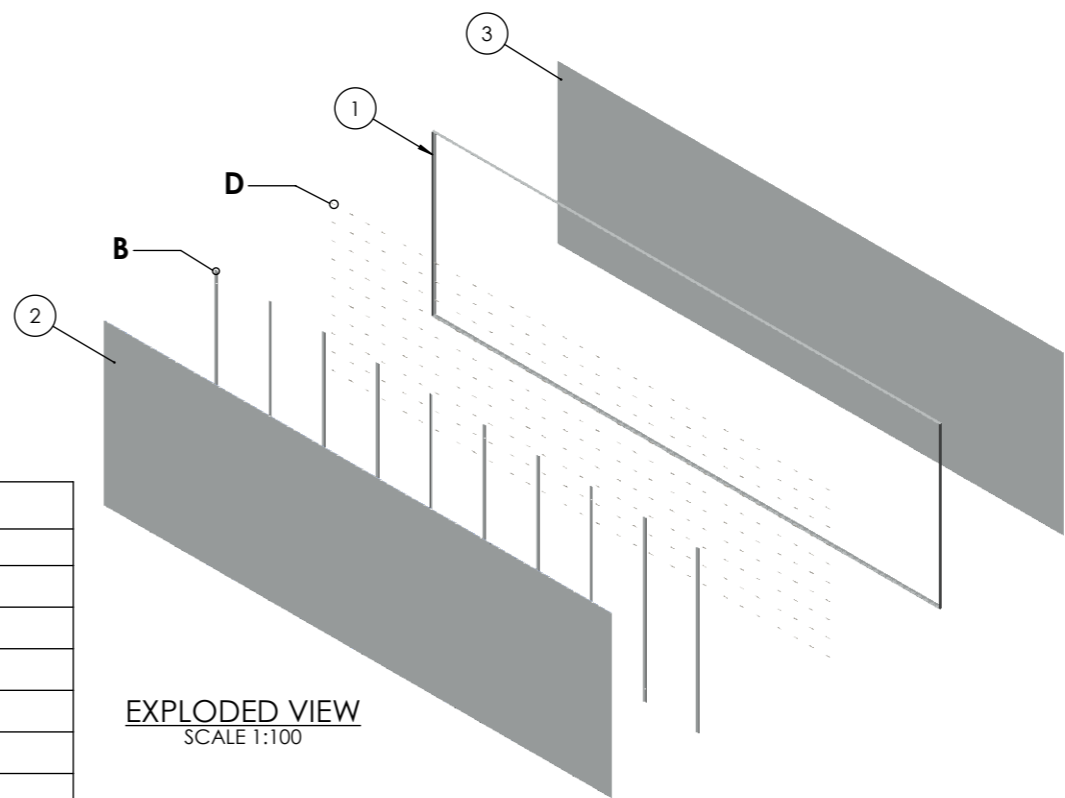
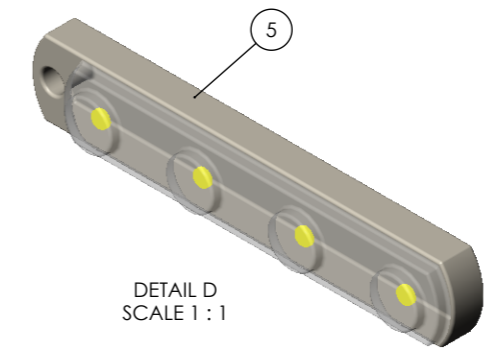
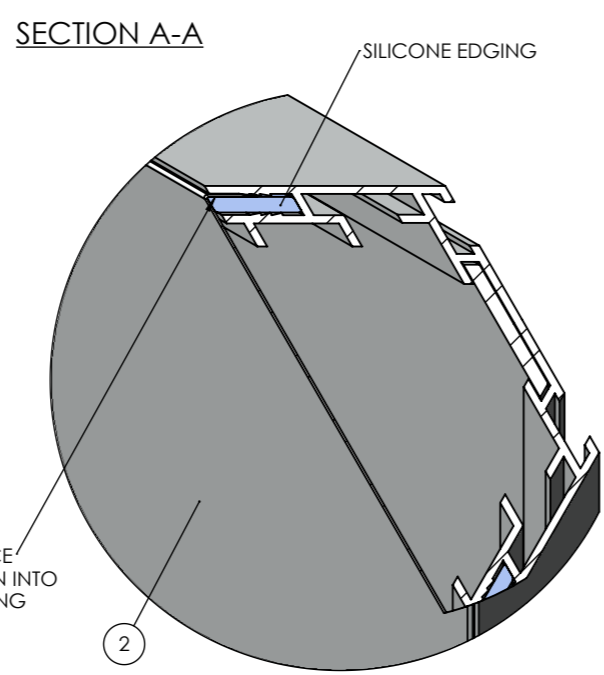
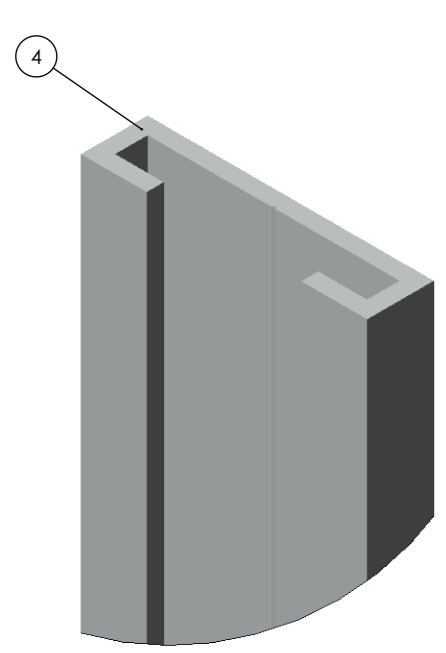
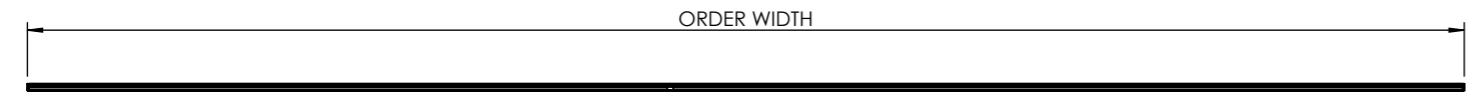
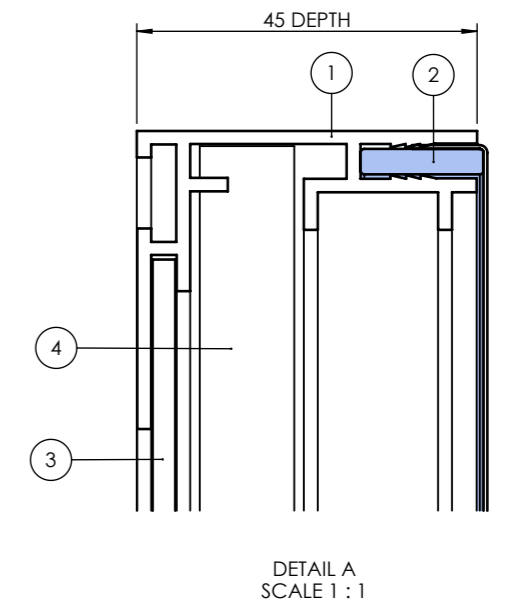
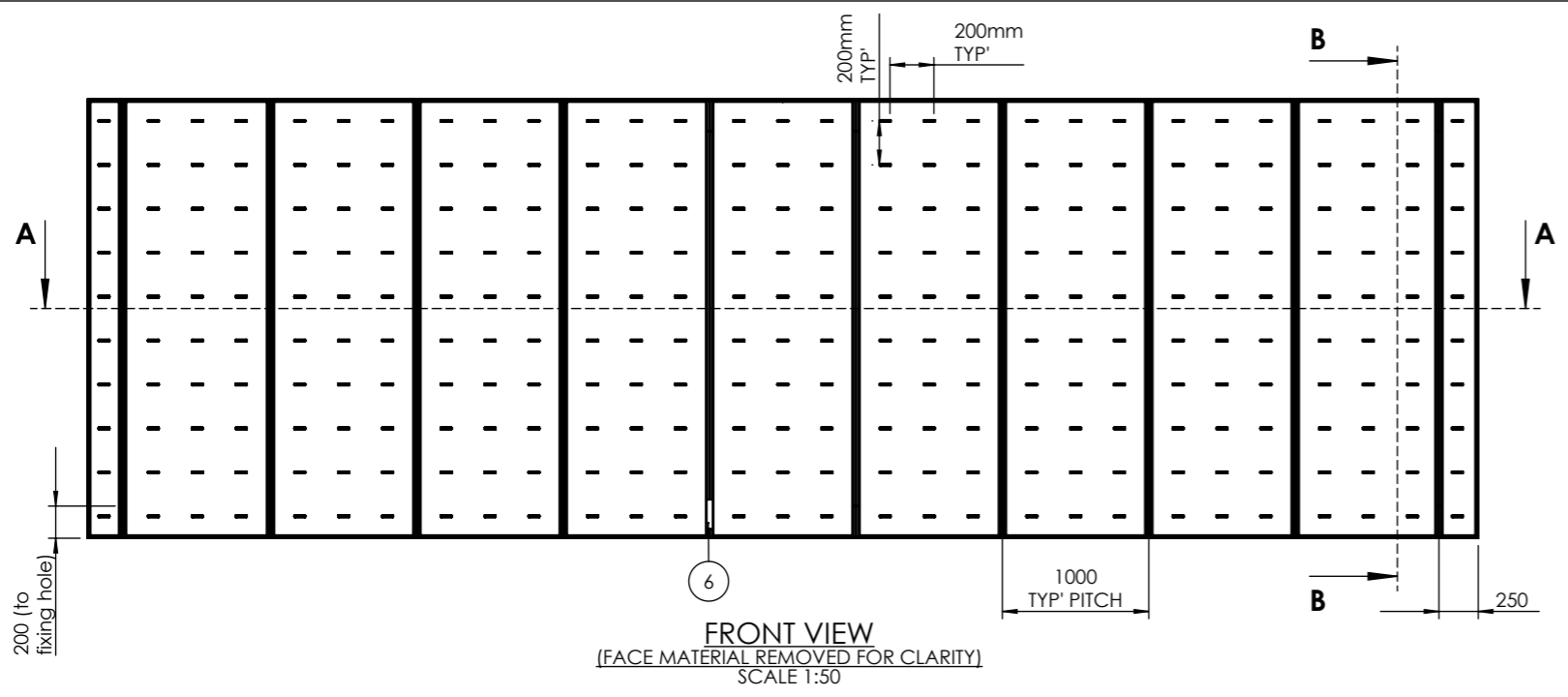


DO NOT SCALE  
IF IN DOUBT ASK



REV.	DATE	DESCRIPTION	BY

THIS DRAWING IS THE PROPERTY OF KSUK LTD AND MAY NOT BE COPIED IN WHOLE OR IN PART OR USED FOR ANY OTHER PURPOSE THAN THAT FOR WHICH IT IS SUPPLIED

GENERAL TOLERANCES UNLESS OTHERWISE STATED:  
 0 DECIMAL PLACES +/- 1mm  
 1 DECIMAL PLACE +/- 0.5mm  
 2 DECIMAL PLACES +/- 0.15mm  
 ANGULAR DIMENSIONS +/- 1/2°

**KSUK**<sup>®</sup>

T 0121 783 0779, F 0121 783 1334  
 KSUK, Unit 6 Valepits Road, Garrets Green Industrial Estate, Birmingham, West Midlands, B33 0TD

DRAWING TITLE: <b>TEXFLEX 45</b>	
PRODUCT RANGE: <b>TEXFLEX</b>	
PROJECT No: <b>IDS-236</b>	DATE: <b>20-02-19</b>
PAPER: <b>A3</b>	DRAWN: <b>R.L</b> CHKD: <b>-</b>
SCALE: <b>N.T.S</b>	DWG No.: <b>IDS-236-019</b> REV: <b>-</b>

BILL OF MATERIALS TEXFLEX 45				
ITEM NO.	DRAWING No/REF	QTY	FINISH	NOTES
1	TEXFLEX 45 PROFILE	1		
2	SILICONE KEDER WITH POLYESTER FACE	1		
3	BACKING	1		1-3mm THICKNESS RANGE
4	TEXFLEX 45 WALL SUPPORT	AS REQ'		1000mm PITCH TYPICALLY
5	GE MODULE	AS REQ'		200mm GRID FORMATION
6	LED CONVERTER	1		