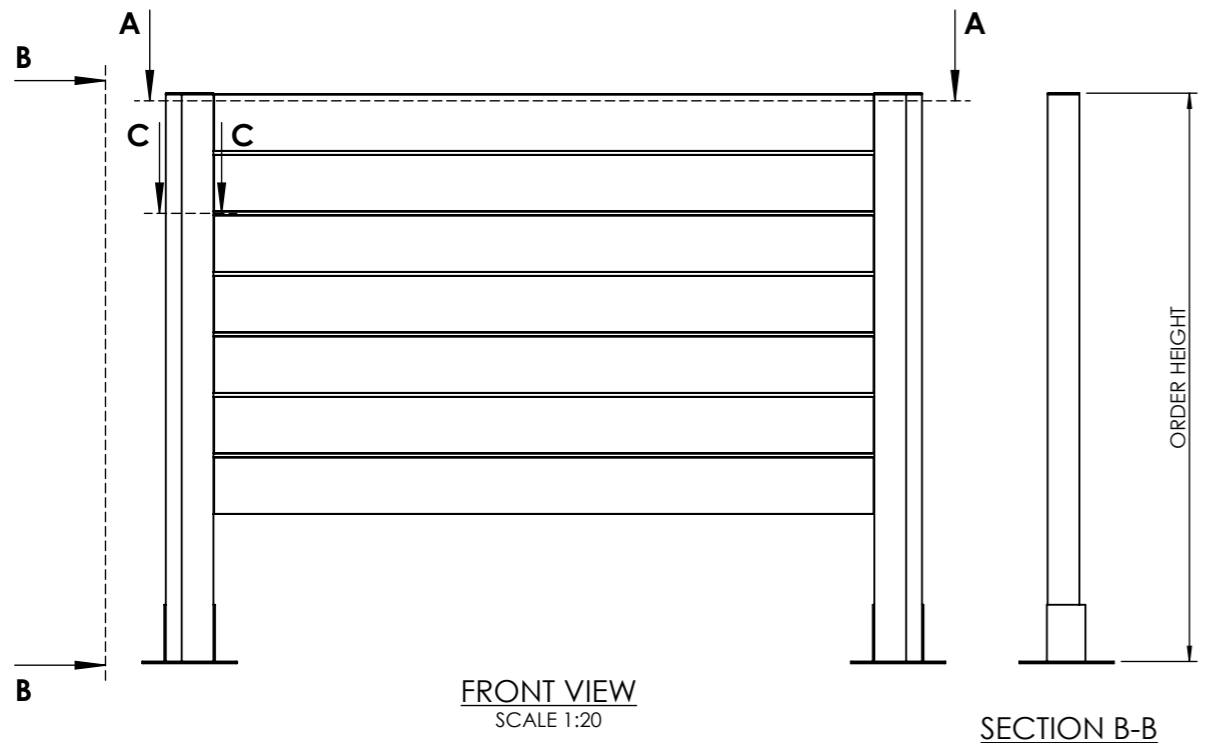
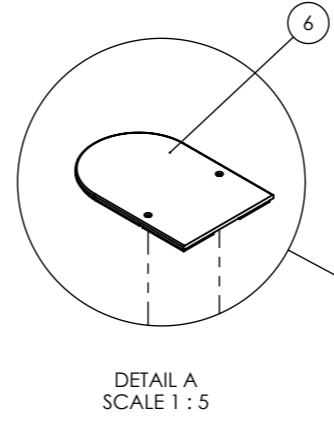


DO NOT SCALE
IF IN DOUBT ASK

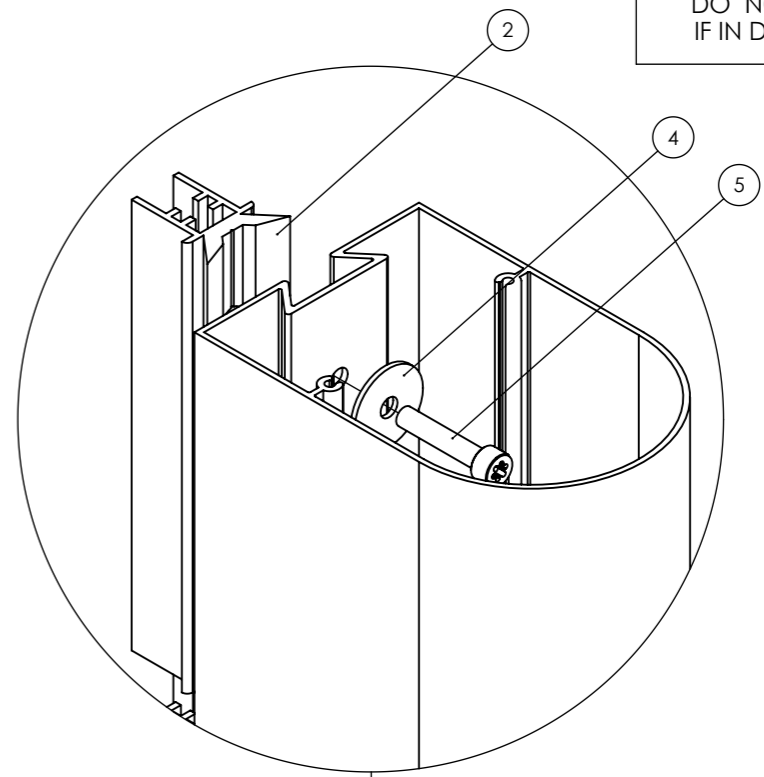


FRONT VIEW
SCALE 1:20

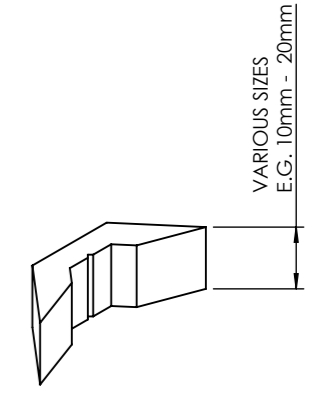
SECTION B-B



DETAIL A
SCALE 1:5

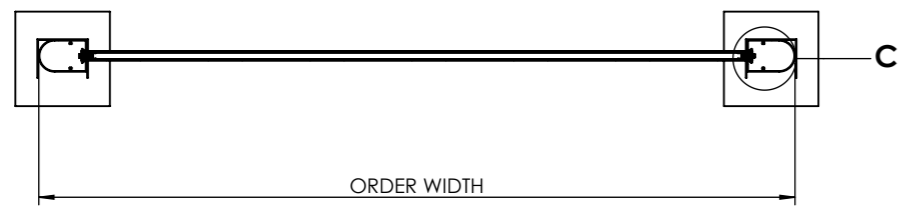


DETAIL B
SCALE 1:2

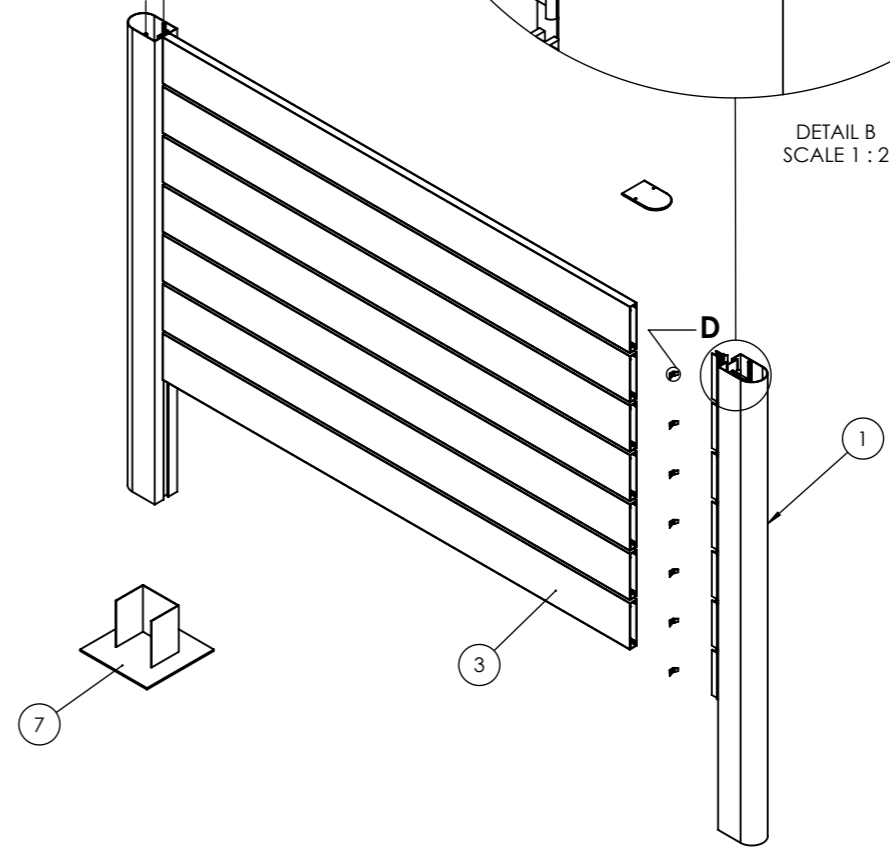


DETAIL D
SCALE 1:1

VARIOUS SIZES
E.G. 10mm - 20mm

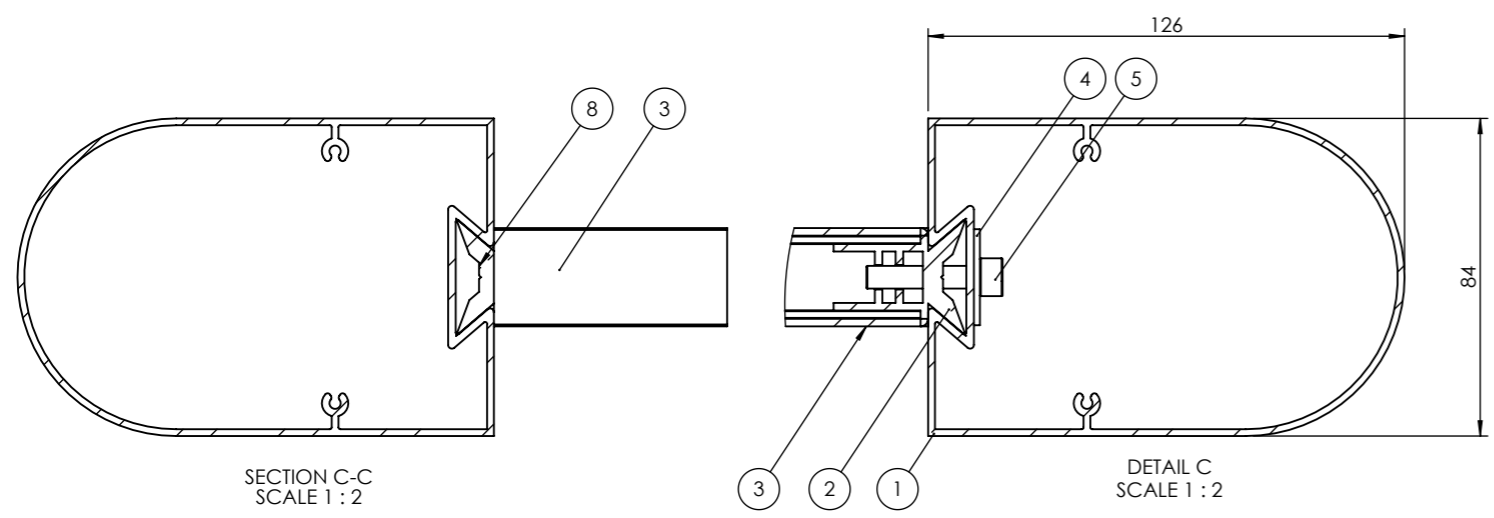


SECTION A-A



EXPLODED VIEW OF EQUIPMENT SUPPLIED
SCALE 1:20

BILL OF MATERIALS TBC BY KSUK				
ITEM NO.	DRAWING No/REF	QTY	FINISH	NOTES
1	DATAPLANK D PROFILE	2		
2	PROFILE B	2 No PER DATAPLANK		
3	150mm DATAPLANK	AS REQ'		100mm VERSION ALSO OPTION
4	WASHER	2		SIZE TBC
5	M6 TORX CAP SCREW	2		
6	TOP D CAPPING PIECE	2		
7	BASE D FOOT	2		
8	DELTA FIX	2 No PER DATAPLANK		



SECTION C-C
SCALE 1:2

DETAIL C
SCALE 1:2

REV. A	DATE 25-01-19	DELTA FIX DETAIL ADDED	R.L
		DESCRIPTION	BY
THIS DRAWING IS THE PROPERTY OF KSUK LTD AND MAY NOT BE COPIED IN WHOLE OR IN PART OR USED FOR ANY OTHER PURPOSE THAN THAT FOR WHICH IT IS SUPPLIED		GENERAL TOLERANCES UNLESS OTHERWISE STATED 0 DECIMAL PLACES +/- 1mm 1 DECIMAL PLACE +/- 0.5mm 2 DECIMAL PLACES +/- 0.15mm ANGULAR DIMENSIONS +/- 1/2°	

KSUK[®]

T 0121 783 0779, F 0121 783 1334
KSUK, Unit 6 Valepits Road, Garrets Green Industrial Estate, Birmingham, West Midlands, B33 0TD

DRAWING TITLE: TBC BY KSUK		
PRODUCT RANGE: DATAPLANK		
PROJECT No: IDS-236	DATE: 22-01-19	
PAPER: A3	DRAWN: R.L	CHKD: -
SCALE: N.T.S	DWG No.: IDS-236-013	REV: A