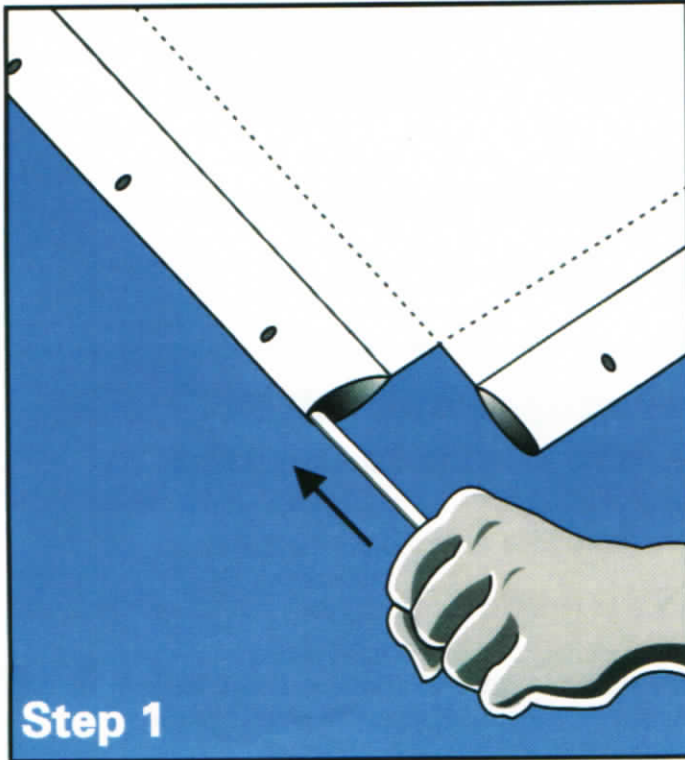


SUBSTRATE INSTALLATION INSTRUCTIONS

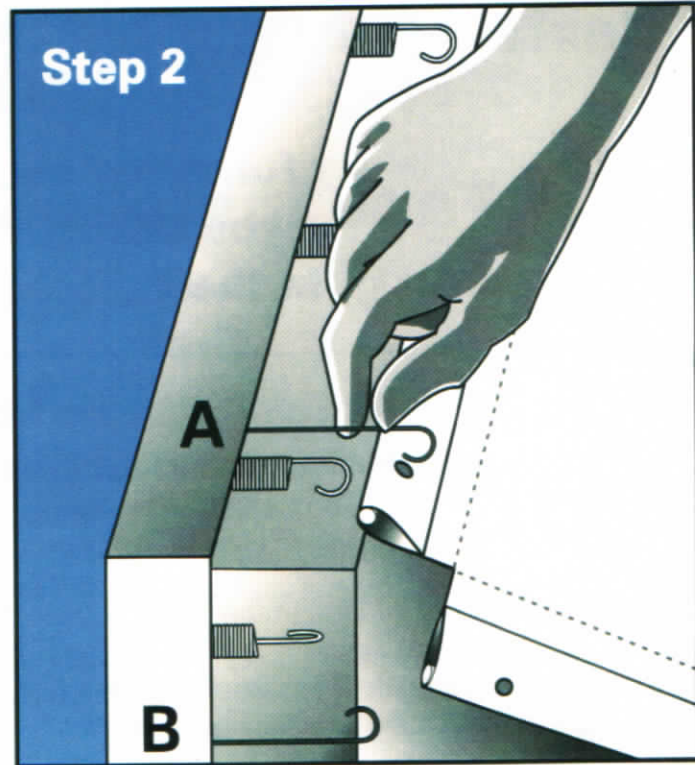
Following these simple instructions will make face installation so very easy, simple and quick and totally avoid mispositioning. It is essential that the sign face is centred. Use the **SPRINGLESS STEEL PRESPACERS** located along the top and down the left hand side of the sign box to hold the face in position before attaching any of the Springs. These **PRESPACERS** are designed to hold the face in place while you hook up the other springs.

Step 1



Step 1

Step 1.
Insert Tension Bars



Step 2

Step 2.
Hook the face on to the Prespacers located in the sign box at A - B - C - E - F

Step 2

Prespacers Fitting Sequence A - F

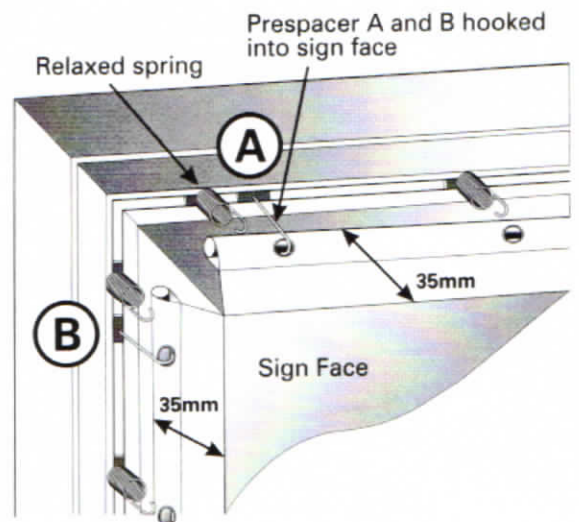
On very large sign, **PRESPACERS** can be up to two metres apart and must be hooked to the face before any springs are attached. The amount of hooks used in 'Springflex'® signs are dependent upon the overall size of the box i.e. the larger the box the more springs are used. The principle fitting sequence IS ALWAYS THE SAME.

Prespacer (not to scale)



Relaxed Spring with Prespacer

In this position there must be 35mm of substrate over the frame.



NEVER try and short cut the fitting of faces by attaching the substrate to the springs, without first hooking to the **PRESPACERS**. Prespacers are a vital part of the system to ensure the sign face is accurately positioned before you attach any springs. Failure to follow the correct procedure can lead to misaligned faces and subsequent refitting